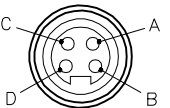
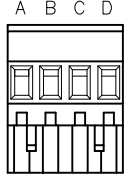
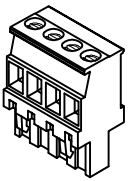
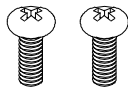
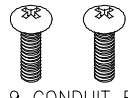

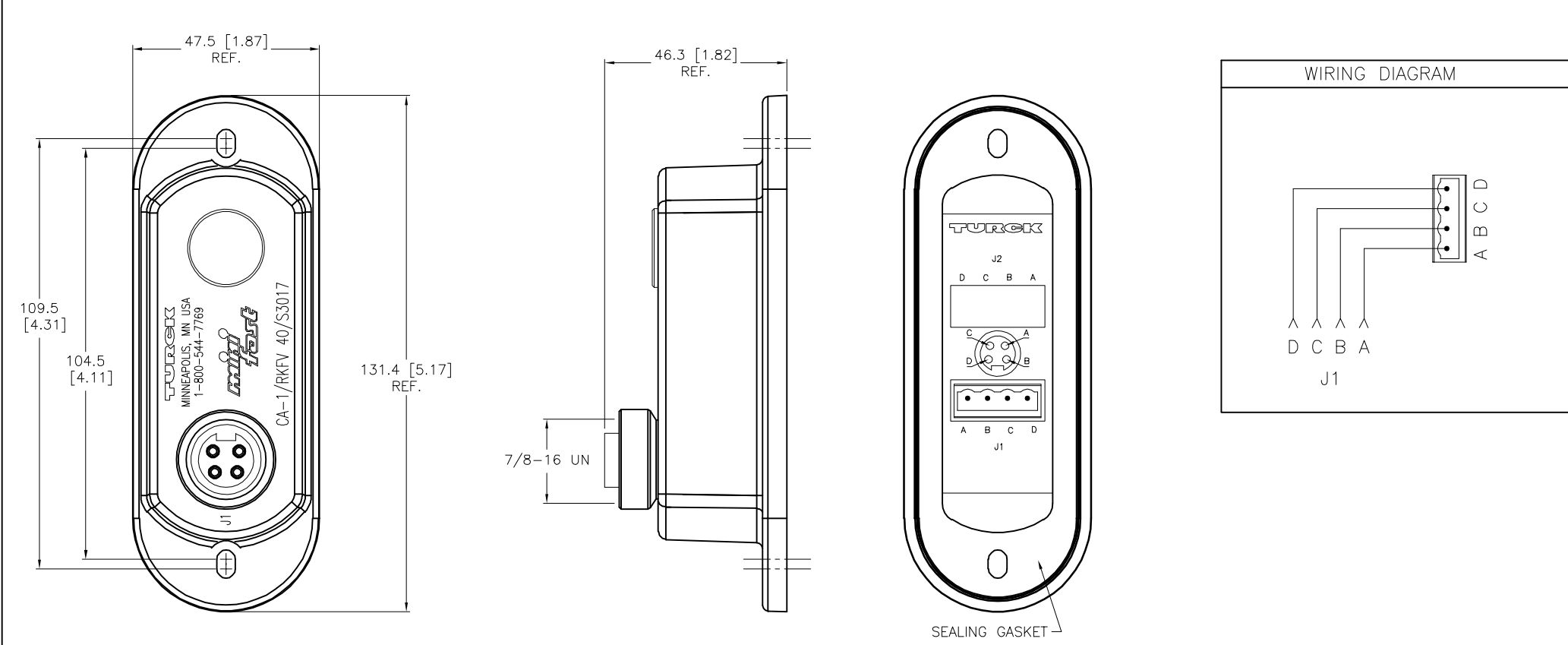
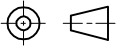


J1 CONNECTOR	TERMINAL BLOCK PLUG	TERMINAL PLUG INCLUDED	COVER SCREWS INCLUDED	SPECIFICATIONS	
			 FORM 8 CONDUIT BODIES: 10-24 SCREWS   MARK 9 CONDUIT BODIES: 8-32 SCREWS	HOUSING MATERIAL/COLOR	NYLON 66 - 33% GLASS FILLED/BLACK
				RECEPTACLE HOUSING MATERIAL/FINISH	STAINLESS STEEL/PASSIVATED
				CONTACT CARRIER MATERIAL/COLOR	TPU/BLACK
				CONTACT MATERIAL/PLATING	BRASS/GOLD
				OPERATING VOLTAGE	250 V
				OPERATING CURRENT	9.0 A PER CONDUCTOR
				PROTECTION CLASS to DIN 40050	IP 67 - ONLY WHEN ALL RECEPTACLES ARE COVERED WITH PLUGS OR CONNECTED
				OPERATING TEMPERATURE	-30°C to +80°C (-22°F to +176°F)



**SOURCE DRAWING - FOR REFERENCE ONLY**

NOTES:  
 1. "/S3017" DESIGNATES SLOTTED HOLE PATTERN ON CONDUIT COVER.

RELATED DOCUMENTS 1. 2. 3. 4.	3RD ANGLE PROJECTION 	THIS DRAWING IS CONFIDENTIAL AND THE PROPERTY OF TURCK INC. USE OF THIS DOCUMENT WITHOUT WRITTEN PERMISSION IS PROHIBITED.		3000 CAMPUS DRIVE MINNEAPOLIS, MN 55441 1-800-544-7769 (763) 553-7300 (763) 553-0708 fax www.turck.us		
	MATERIAL  SEE SPECIFICATIONS	ALL DIMENSIONS DISPLAYED ON THIS DRAWING ARE FOR REFERENCE ONLY	DRFT RDS DATE 05/30/07	DESCRIPTION CA-1/RKFV 40/S3017		
			APVD DD SCALE 1=1.5			
	FINISH  SEE SPECIFICATIONS	CONTACT TURCK FOR MORE INFORMATION	UNIT OF MEASUREMENT <b>MILLIMETER [ INCH ]</b>			IDENTIFICATION NO. U2-11976
DO NOT SCALE THIS DRAWING			FILE: U2-11976	SHEET 1 OF 1		

B	DRAWING PROCESSED AS PART OF ECO 33971	CBM	04/07/11	33971
REV	DESCRIPTION	BY	DATE	ECO NO.